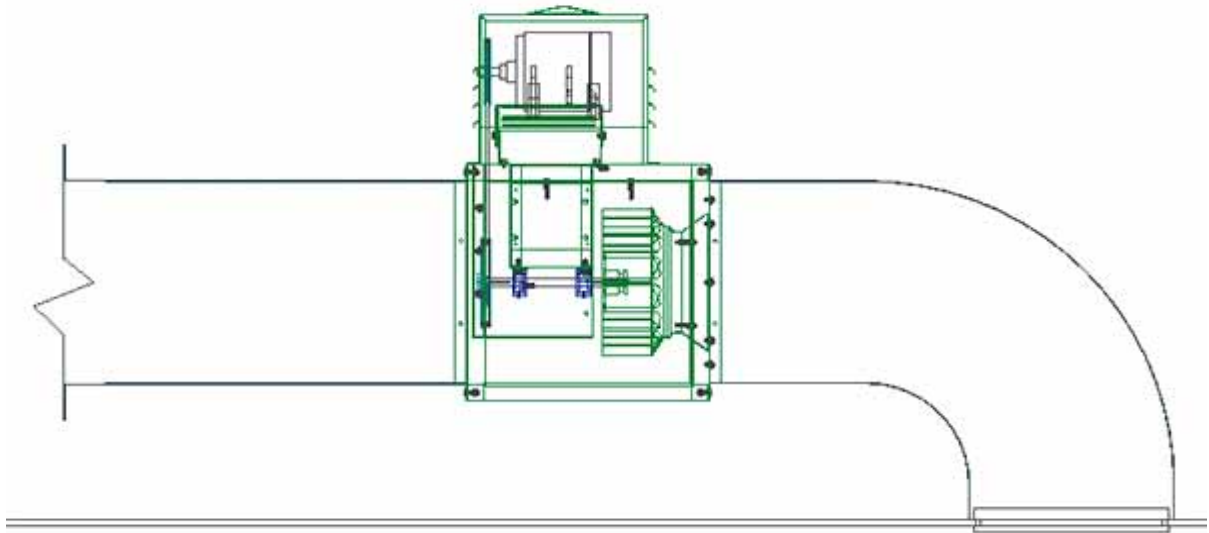
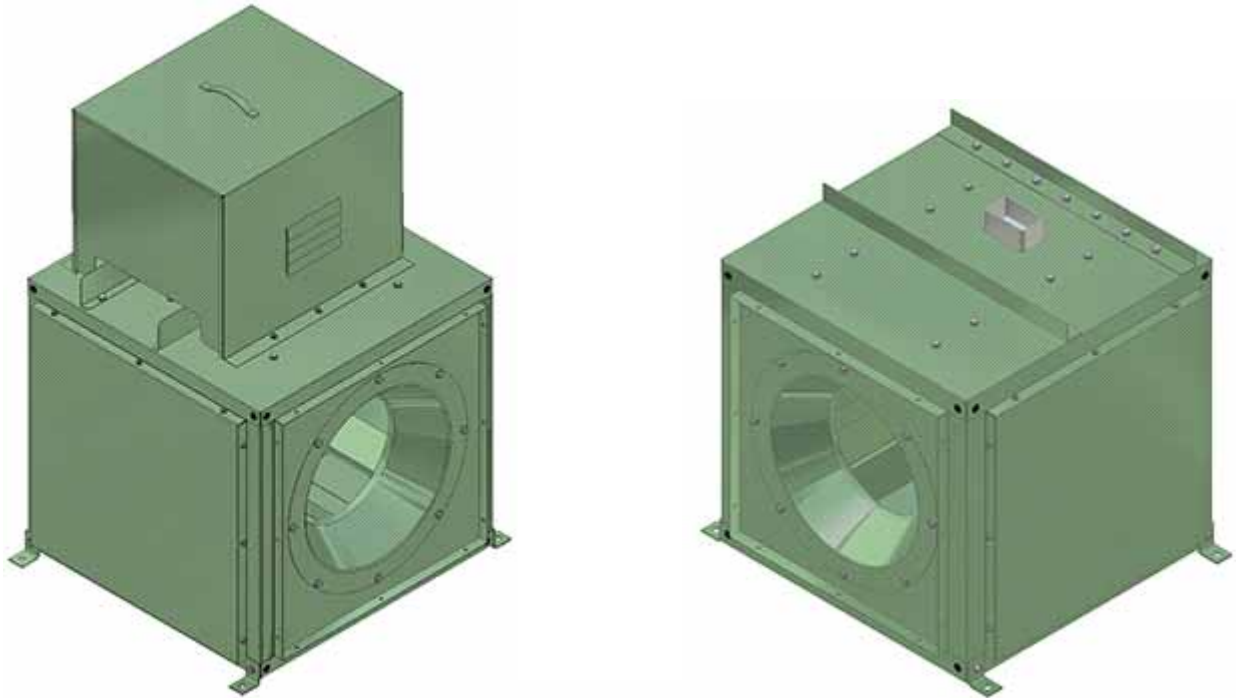


DSQ-B (Belt Drive) & DSQ-D (Direct Drive) Backward Inclined Inline Blowers

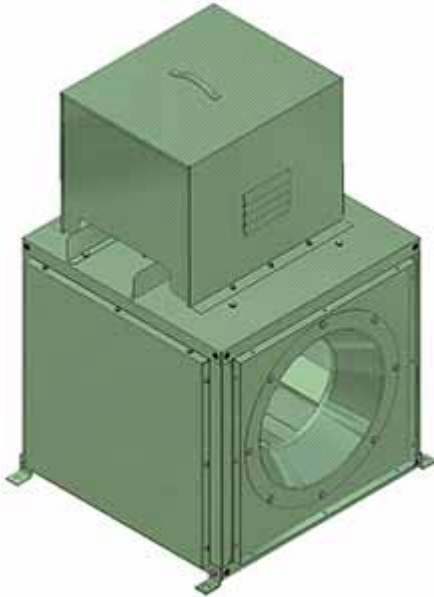


Delhi Industries Inc certifies that Model DSQ-B & DSQ-D shown herein are licensed to bear the AMCA Seal. The ratings shown are based on tests and procedures performed in accordance with AMCA Publication 211 and AMCA Publication 311 and comply with the requirements of the AMCA Certified Ratings Programme.



DSQ-B (Belt Drive) & DSQ-D (Direct Drive) Series, Backward Inclined Inline Blowers

DSQ-B (Belt Drive) Features



- 10 Models from 10" to 27"
- Heavy duty, non-overloading backward inclined wheel
- Pivoted motor mounting base for convenient belt tension adjustment
- Air handler pillow block bearings mounted on rigid angle iron frame
- Gasketed, leak proof access panels
- Angle iron mounting lugs can be relocated for base or suspension mounting or positioning motor on the top, side or bottom of blower
- Side discharge option as standard - simply re-locate the side panel to the discharge
- Motor cover supplied
- Junction Box

DSQ-D (Direct Drive) Features



- 4 Models - 10", 12", 13" & 15"
- Heavy duty, non-overloading backward inclined wheel
- Gasketed, leak proof access panels
- Angle iron mounting lugs can be relocated for base or suspension mounting
- Side discharge option as standard - simply re-locate the side panel to the discharge
- Junction Box
- 120V TEAO Motor
- Two speed motor - DSQ-D-15

Optional Accessories

- F-DSQ Filter section with 'V' bank 1" aluminum filters. (Filter rack will accept customer supplied 2" filters)
- Suspension or base mount vibration isolation

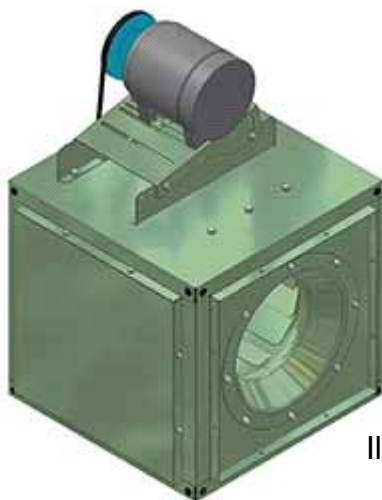
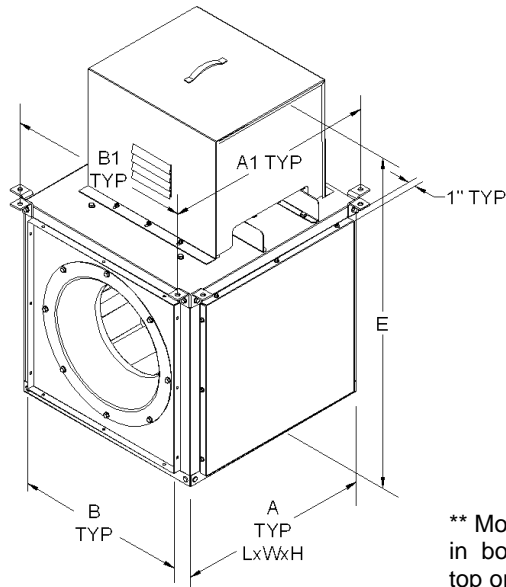
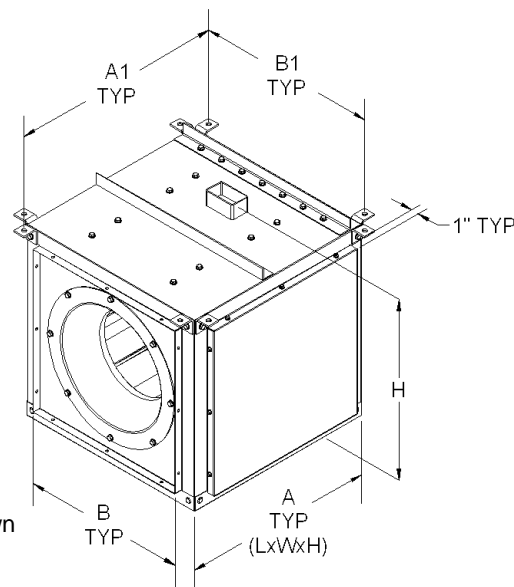


Illustration with motor cover removed

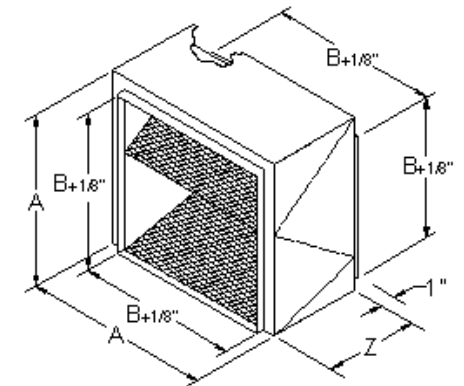
DSQ-B Belt Drive



DSQ-D Direct Drive



F-DSQ Filter Section



Filter Resistance =
Filter Factor x CFM² x 10⁻⁸ in. wg

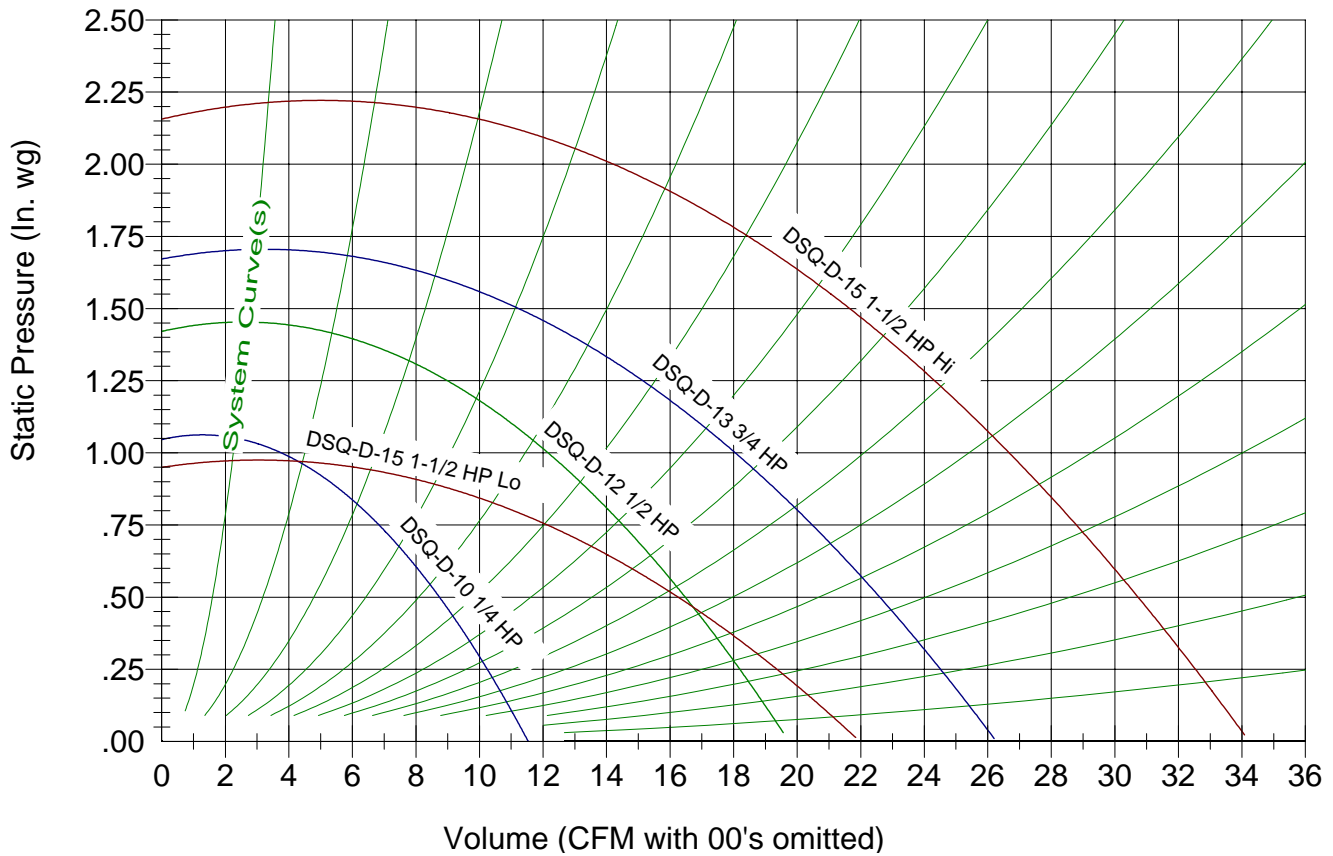
** Mounting brackets shown in both positions. Can be top or bottom mounted.

Page 3

DSQ-B							DSQ-D A,A1, B & B1 same as DSQ-B					F-DSQ Filter Section		
	L* x W x H	Inlet/Outlet	Mounting Bracket Holes		Motor Enclosure DSQ-B Only			Overall Height	Motor Nameplate Specifications					Filter Factor
Model	A	B	A-1	B-1	D	E	Model	H	HP	RPM	Amps	Model	Z	
DSQ-B-10* Length	16-1/16 20-1/16*	14	18-9/16 20-9/13*	15 19*	15-1/4	14-1/4	DSQ-D-10	17-13/16	1/4	1725	2.8	F-DSQ-10	6	7.085
*Note: With the exception of DSQ-B-10 & DSQ-D-10 above, all models are cubed. (DSQ-B-10 & DSQ-D-10 have extended length)														
DSQ-B-12	20-1/16	17	22-9/16	18-3/4	15-1/4	14-1/4	DSQ-D-12	21-13/16	1/2	1725	5.2	F-DSQ-12	6	3.069
DSQ-B-13	22-1/16	18-3/4	24-9/16	20-3/4	15-1/4	14-1/4	DSQ-D-13	23-13/16	3/4	1725	13	F-DSQ-13	6	2.184
DSQ-B-15	24-9/16	20-7/8	27	23	15-1/4	14-1/4	DSQ-D-15	25-5/16	1-1/2	1725/1140	15.2/8.0	F-DSQ-15	14	0.762
DSQ-B-16	26-1/16	23	28-9/16	24-3/4	16-3/4	16-3/4						F-DSQ-16	14	0.630
DSQ-B-18	28-11/16	25-3/8	31-3/16	27-1/8	16-3/4	16-3/4						F-DSQ-18	14	0.463
DSQ-B-20	31-7/16	27-3/4	33-7/8	29-7/8	16-3/4	16-3/4						F-DSQ-20	14	0.346
DSQ-B-22	34-1/16	31	36-9/16	32-3/4	21-3/4	21-3/4						F-DSQ-22	20	0.182
DSQ-B-24	37-9/16	34	40	36	21-3/4	21-3/4						F-DSQ-24	20	0.134
DSQ-B-27	41-3/8	37-1/2	43-13/16	39-5/16	21-3/4	21-3/4						F-DSQ-27	20	0.100

DSQ-D (Direct Drive) - Air Performance

Static Pressure (S.P.) vs Air Flow (CFM)



DSQ-D (Direct Drive) - Air & Sound Performance										
Static Pressure (S.P.) vs Air Flow (CFM) & Sound (Sones)										
	Max BHP	Nominal RPM	1/8" SP	1/4" SP	1/2" SP	3/4" SP	1" SP	1 1/4" SP	1 1/2" SP	2" SP
DSQ-D-10 1/4 HP	0.36	1741	1080 CFM 14.5 Sones	1030 13.8	870 12.3	700 11.2	390 10.5	-- --	-- --	-- --
DSQ-D-12 1/2 HP	0.64	1739	1900 CFM 22 Sones	1830 20	1630 18.4	1450 17	1220 15.4	900 13.8	-- --	-- --
DSQ-D-13 3/4 HP	0.90	1708	2525 CFM 18.3 Sones	2450 18	2280 17.3	2060 16.7	1800 16	1510 16.1	1120 16.2	-- --
DSQ-D-15 1-1/2 HP Hi	1.65	1780	3330 CFM 32 Sones	3240 31	3060 30	2880 29	2680 27	2420 25	2170 23	1400 22
DSQ-D-15 1-1/2 HP Lo	0.69	1179	2030 CFM 14.5 Sones	1950 13.9	1645 13	1210 12.1	-- --	-- --	-- --	-- --

Performance certified is for installation Type B - Free Inlet, Ducted Outlet.

Performance ratings do not include the effects of appurtenances (accessories).

Speed (RPM) shown is nominal. Performance based on actual speed of test.

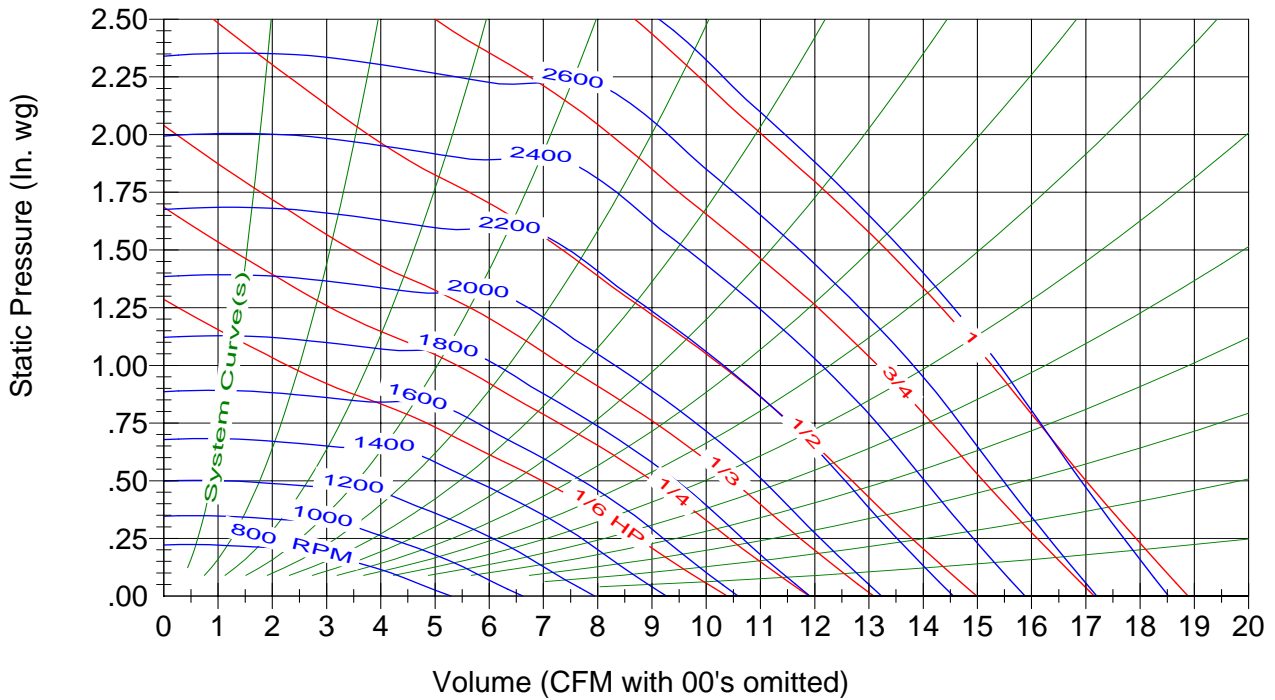
The sound ratings shown are loudness values in fan sones at 5 ft. in a hemispherical free field calculated per AMCA Standard 301. Values shown are for installation Type B: Free inlet fan sone levels.

SI CONVERSION FACTOR

CFM x 0.472 = L/s
SP x 0.249 = kPa

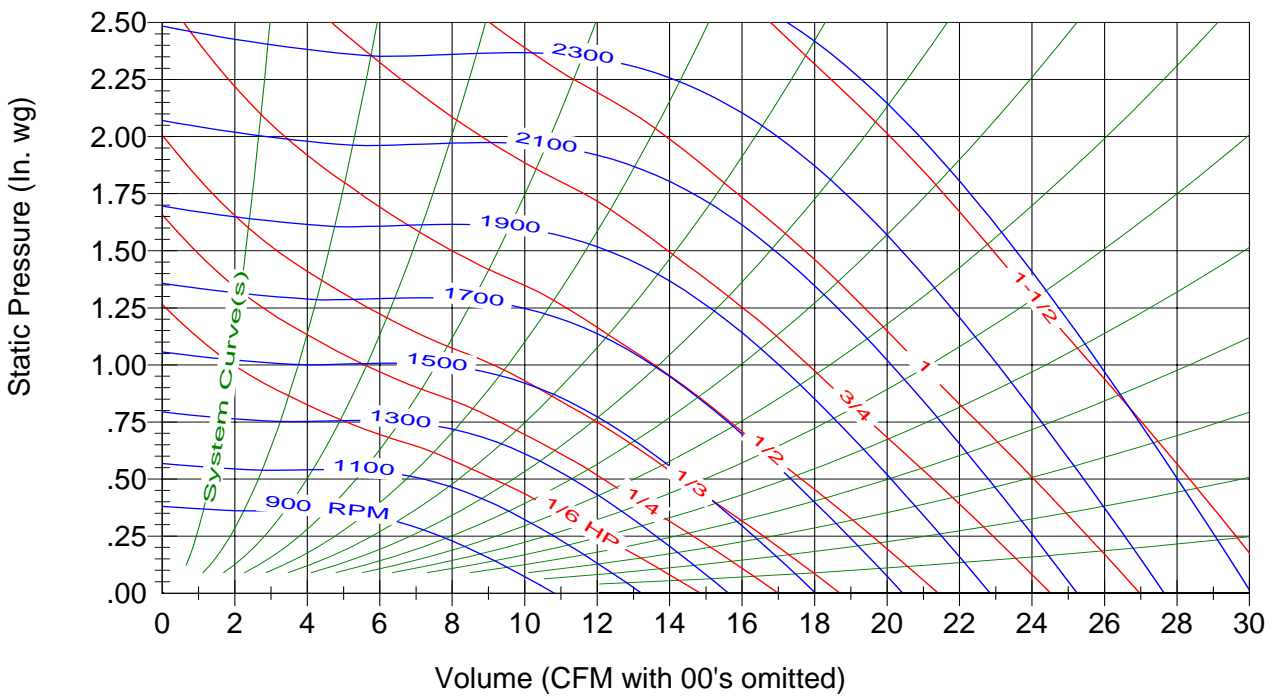
Model DSQ-B-10

Max. Wheel RPM 2800
 Shaft Diameter, In. 3/4"
 Max. HP 1



Model DSQ-B-12

Max. Wheel RPM 2460
 Shaft Diameter, In. 3/4"
 Max. HP 1-1/2

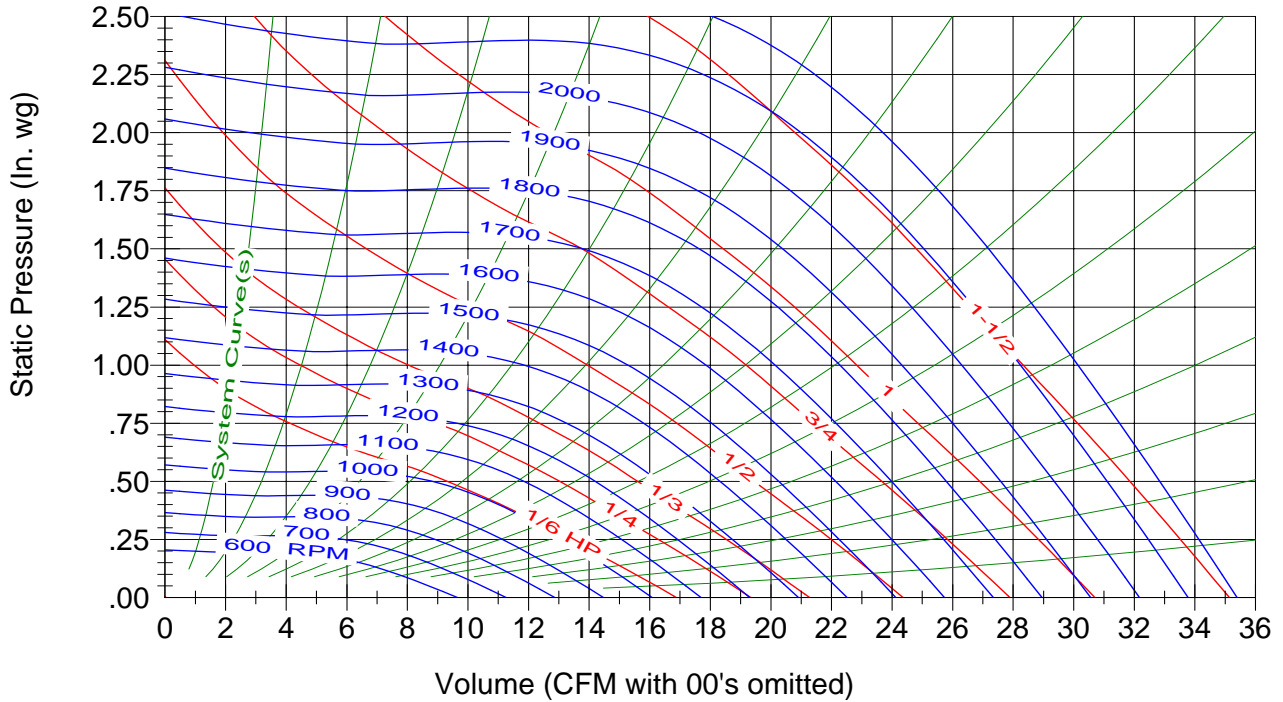


Power rating bhp does not include transmission losses.
 Performance certified is for installation Type B - Free Inlet, Ducted Outlet.
 Performance ratings do not include the effects of appurtenances (accessories).

SI CONVERSION FACTOR	
CFM x 0.472 = L/s	SP x 0.249 = kPa

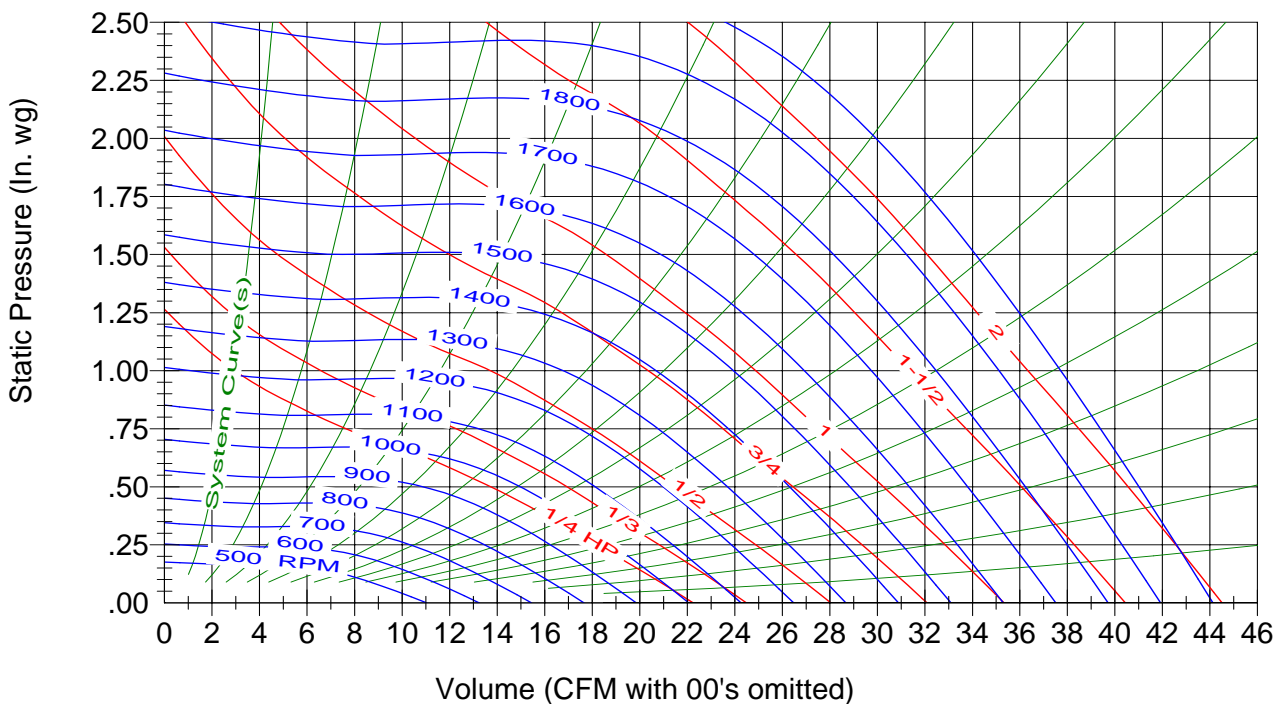
Model DSQ-B-13

Max. Wheel RPM 2200
 Shaft Diameter, In. 3/4"
 Max. HP 1-1/2



Model DSQ-B-15

Max. Wheel RPM 2000
 Shaft Diameter, In. 3/4"
 Max. HP 2

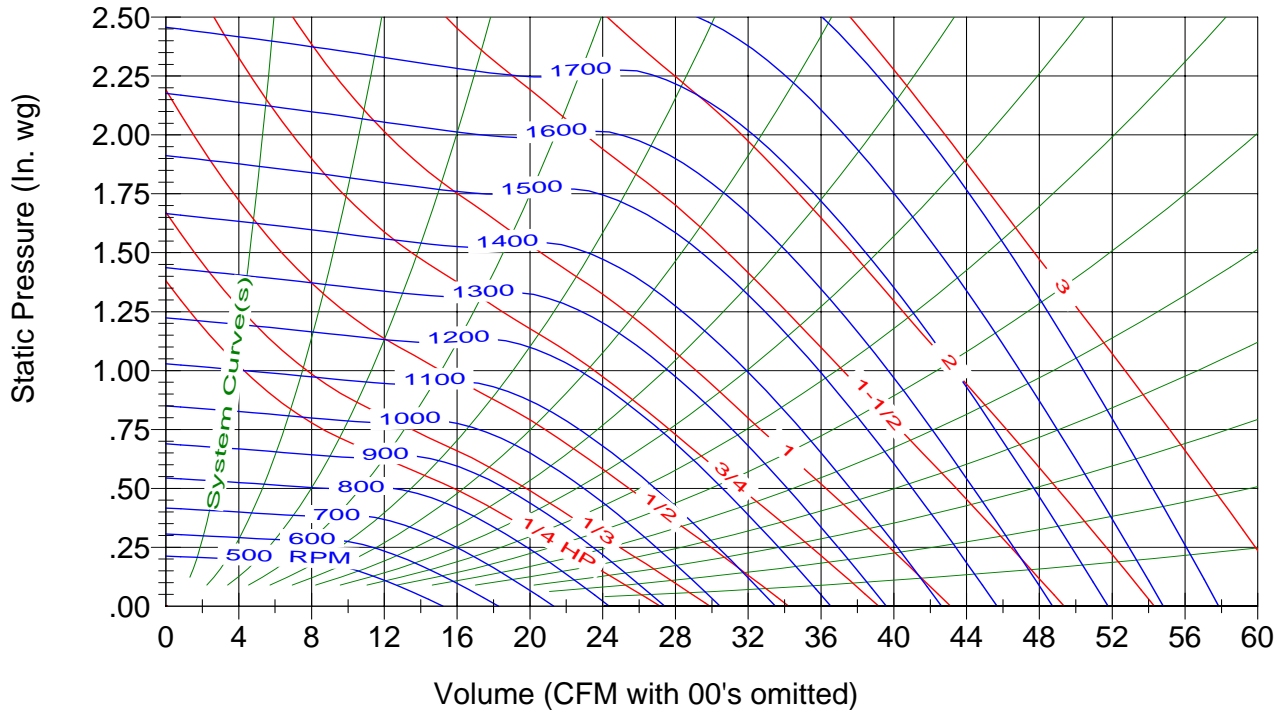


Power rating bhp does not include transmission losses.
 Performance certified is for installation Type B - Free Inlet, Ducted Outlet.
 Performance ratings do not include the effects of appurtenances (accessories).

SI CONVERSION FACTOR	
CFM x 0.472 = L/s	SP x 0.249 = kPa

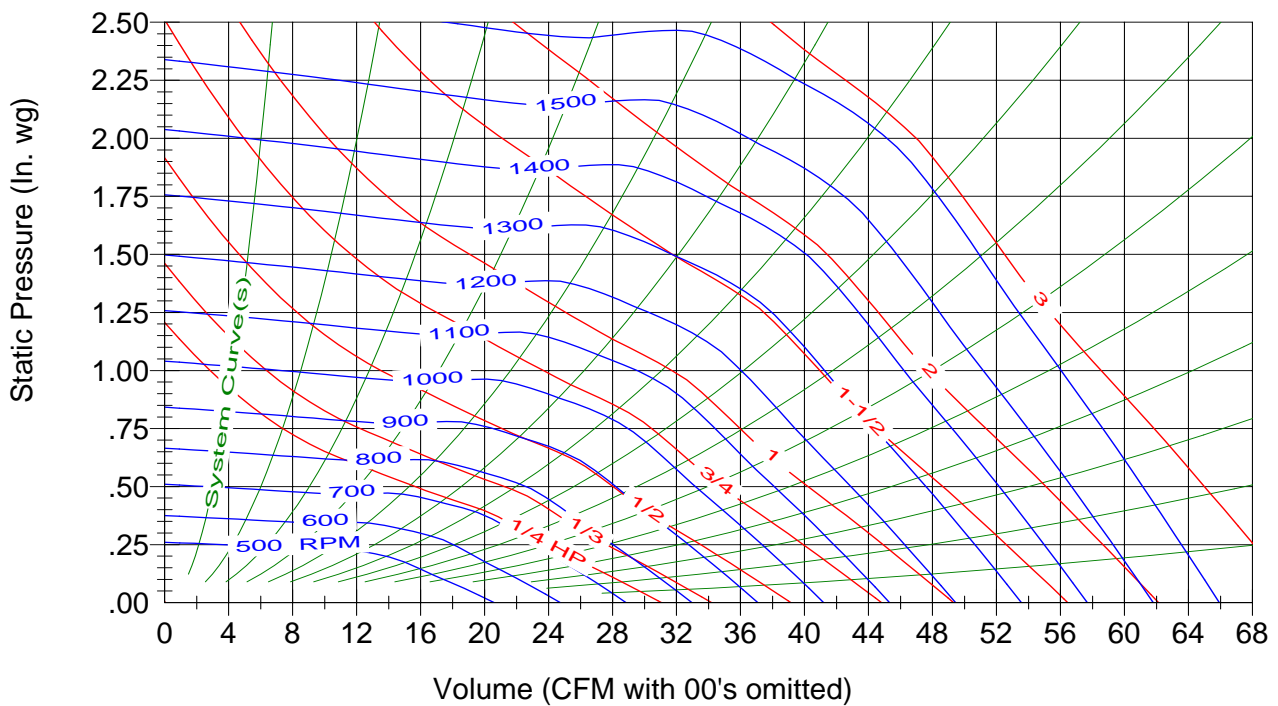
Model DSQ-B-16

Max. Wheel RPM 1900
 Shaft Diameter, In. 3/4"
 Max. HP 3



Model DSQ-B-18

Max. Wheel RPM 1630
 Shaft Diameter, In. 1"
 Max. HP 3

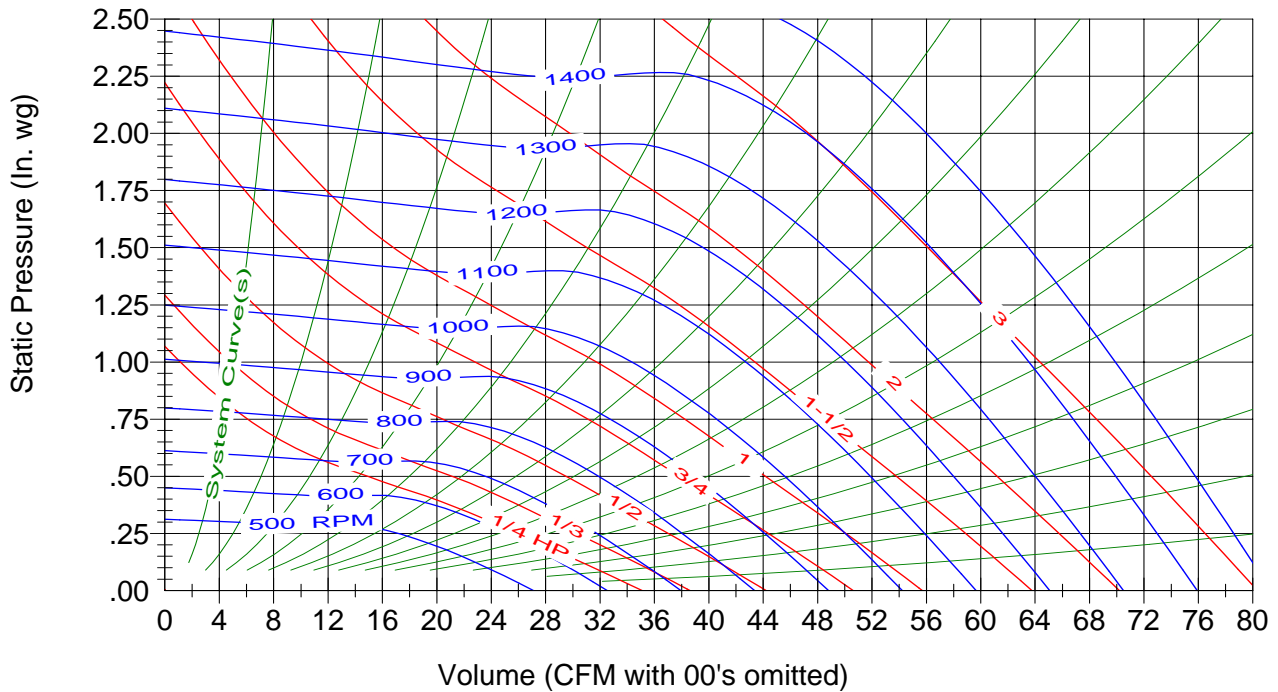


Power rating bhp does not include transmission losses.
 Performance certified is for installation Type B - Free Inlet, Ducted Outlet.
 Performance ratings do not include the effects of appurtenances (accessories).

SI CONVERSION FACTOR	
CFM x 0.472 = L/s	SP x 0.249 = kPa

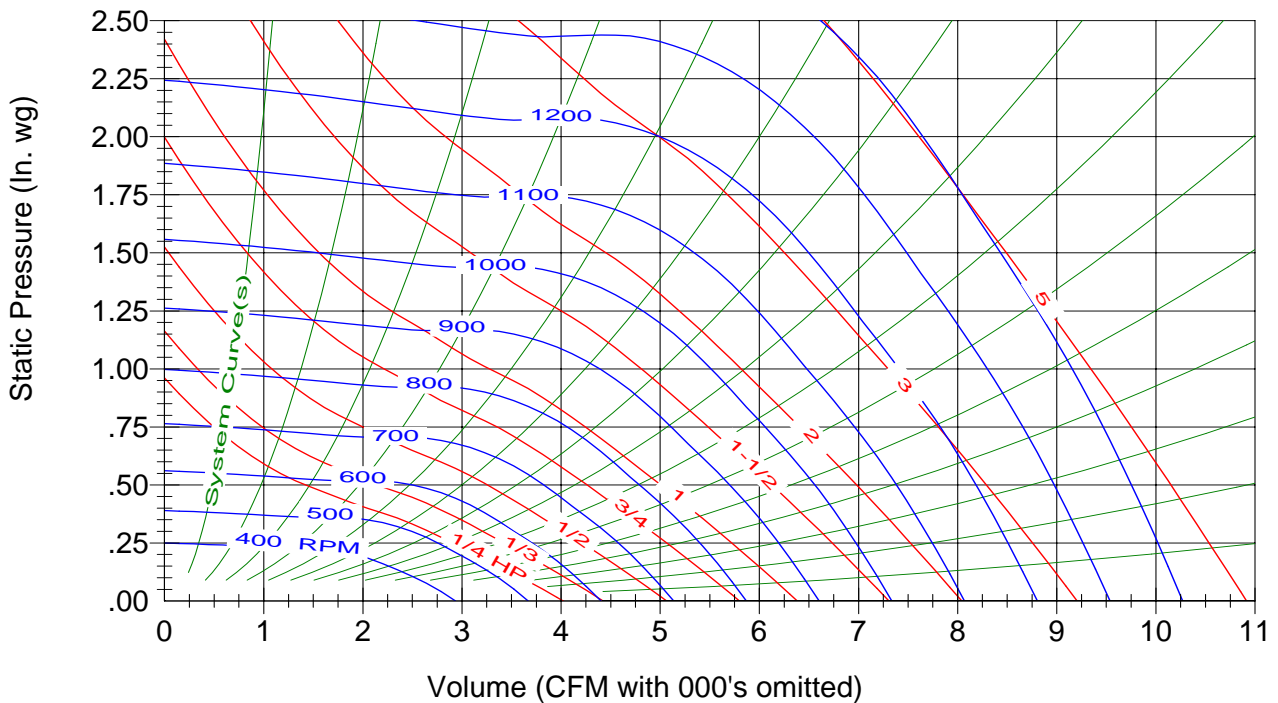
Model DSQ-B-20

Max. Wheel RPM 1500
 Shaft Diameter, In. 1"
 Max. HP 3



Model DSQ-B-22

Max. Wheel RPM 1400
 Shaft Diameter, In. 1"
 Max. HP 5

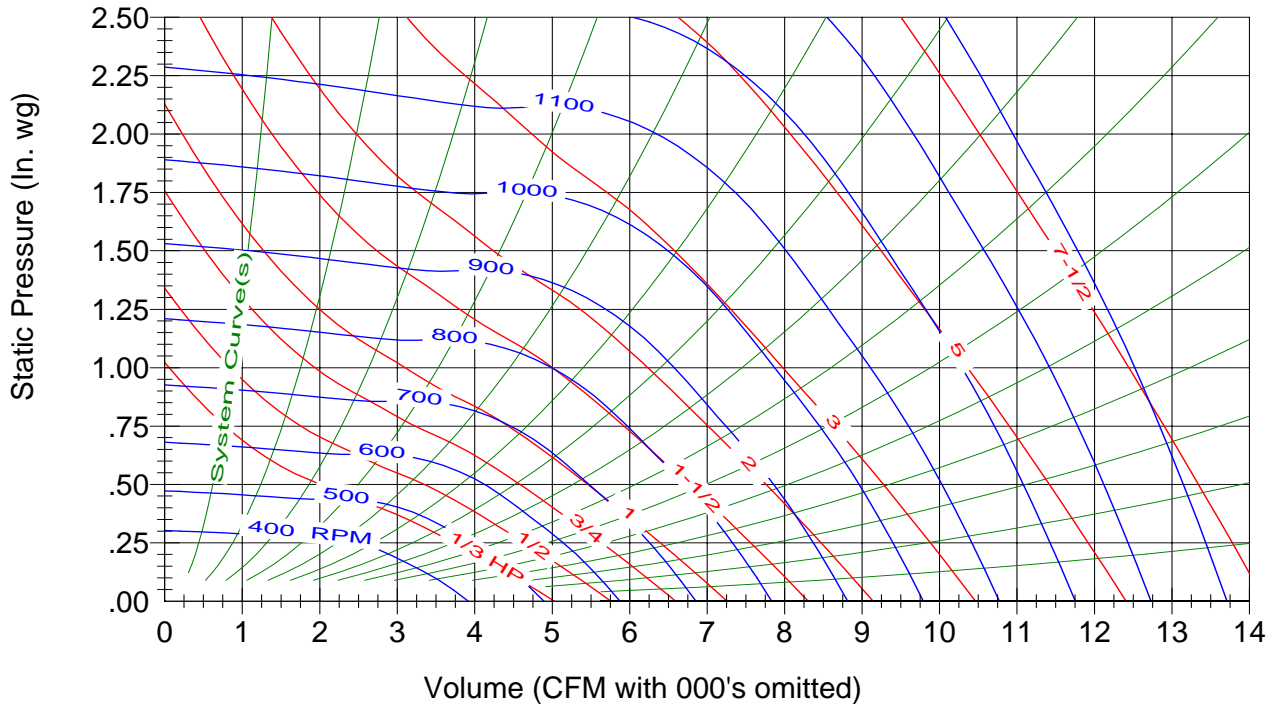


Power rating bhp does not include transmission losses.
 Performance certified is for installation Type B - Free Inlet, Ducted Outlet.
 Performance ratings do not include the effects of appurtenances (accessories).

SI CONVERSION FACTOR	
CFM x 0.472 = L/s	SP x 0.249 = kPa

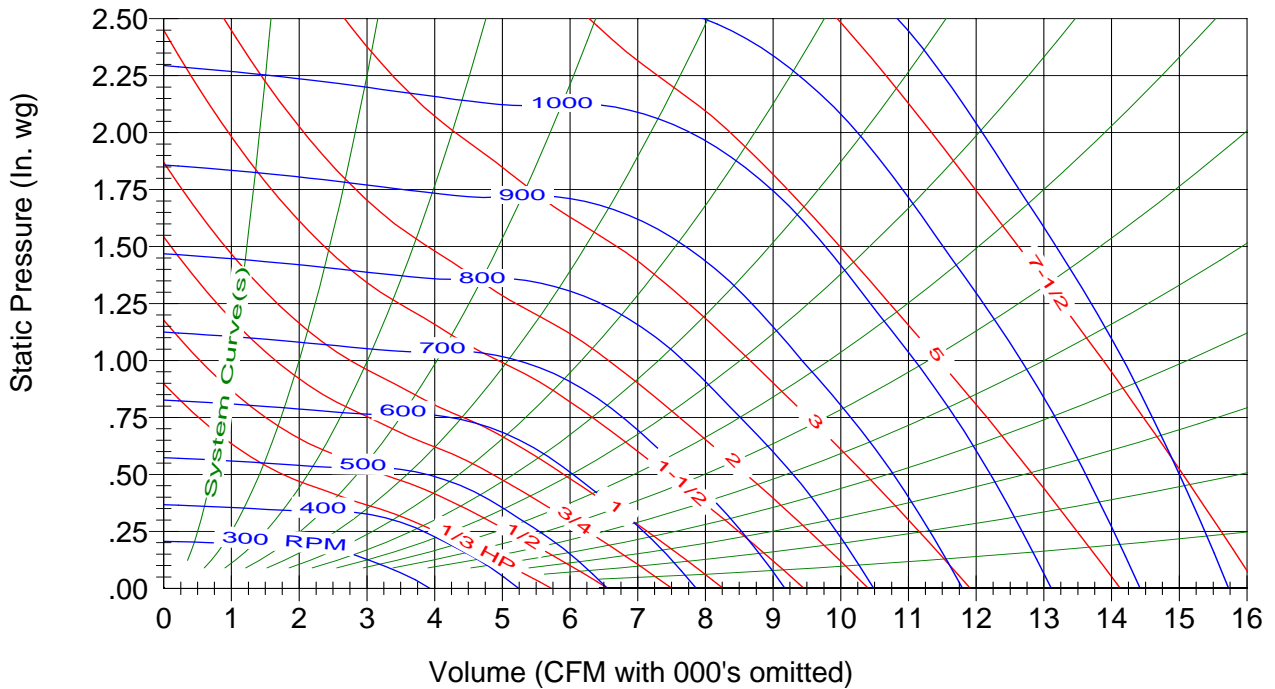
Model DSQ-B-24

Max. Wheel RPM 1370
 Shaft Diameter, In. 1-3/16"
 Max. HP 7-1/2



Model DSQ-B-27

Max. Wheel RPM 1200
 Shaft Diameter, In. 1-3/16"
 Max. HP 7-1/2



Power rating bhp does not include transmission losses.
 Performance certified is for installation Type B - Free Inlet, Ducted Outlet.
 Performance ratings do not include the effects of appurtenances (accessories).

SI CONVERSION FACTOR	
CFM x 0.472 = L/s	SP x 0.249 = kPa

Sound Data

The sound ratings shown are loudness values in fan sones at 5 ft. (1.5 m) in a hemispheric free field calculated per AMCA Standard 301. Values shown are for Installation Type B: free inlet fan sone levels. Sone values not documented in unlisted areas. The following sound data is available in Delhi's 'Delair' selection program

Sound Power Values

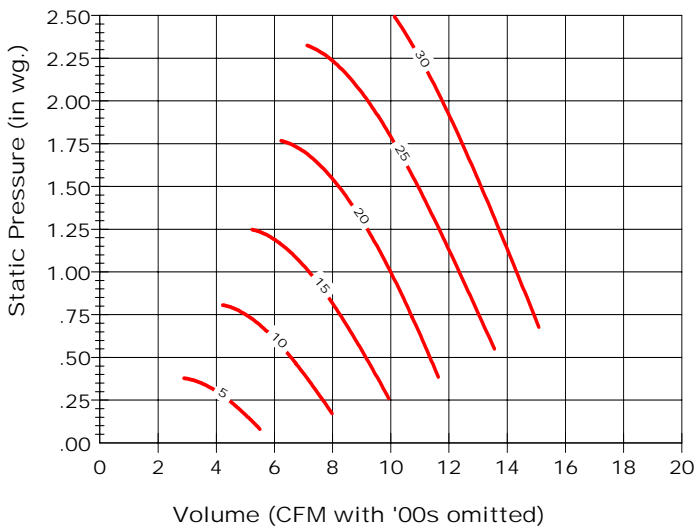
(Lw) - Eight octave sound power values (referred to 10^{-12} watts)

(LwA) - logarithmic addition of (Lw_{1-8}) , the 8 octave sound power values adjusted according to the 'A' network weighting, into the single LwA value.

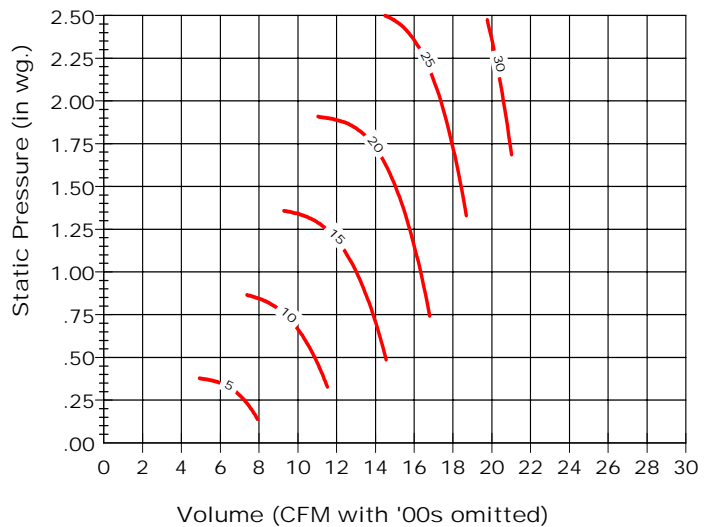
Sound Pressure Values

(dBA) - Sound pressure calculated from LwA at a distance 'r' from the fan.

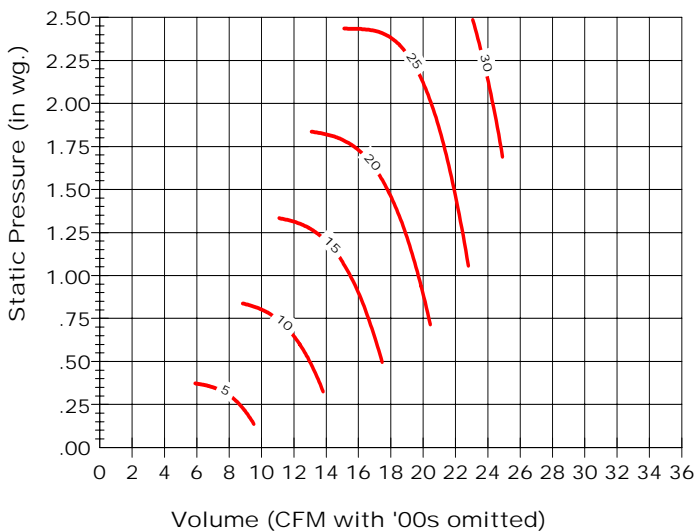
DSQ-B-10 SONE Curves



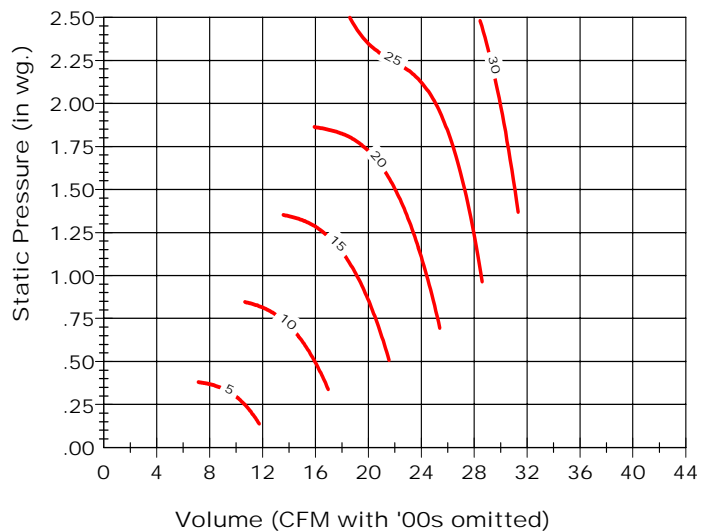
DSQ-B-12 SONE Curves



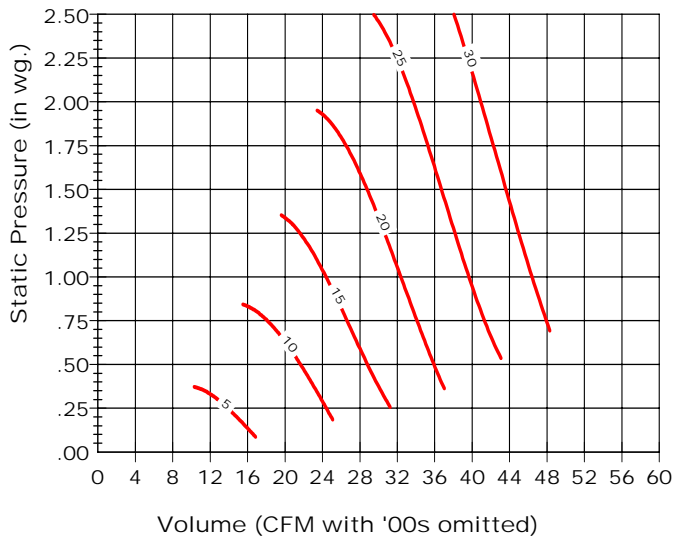
DSQ-B-13 SONE Curves



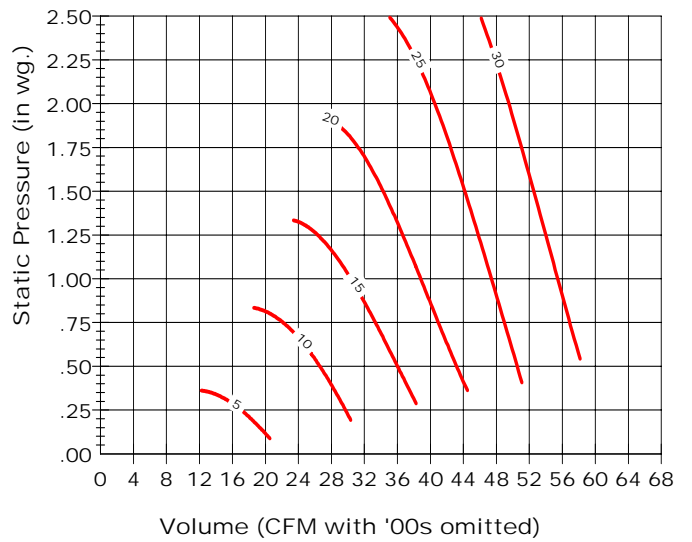
DSQ-B-15 SONE Curves



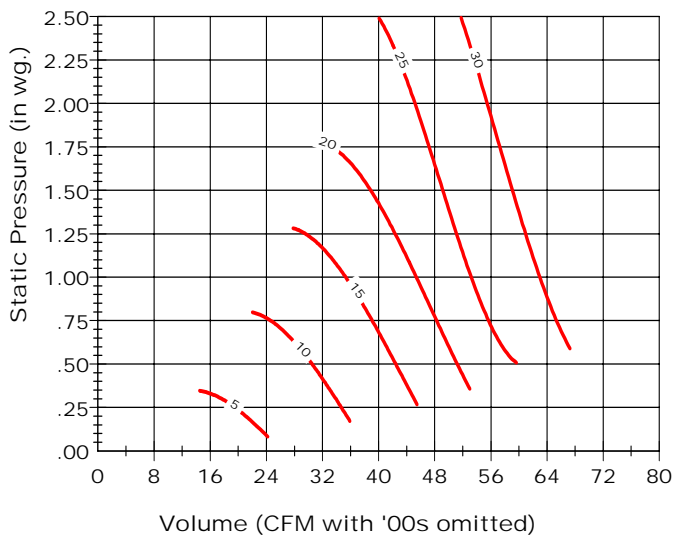
DSQ-B-16 SONE Curves



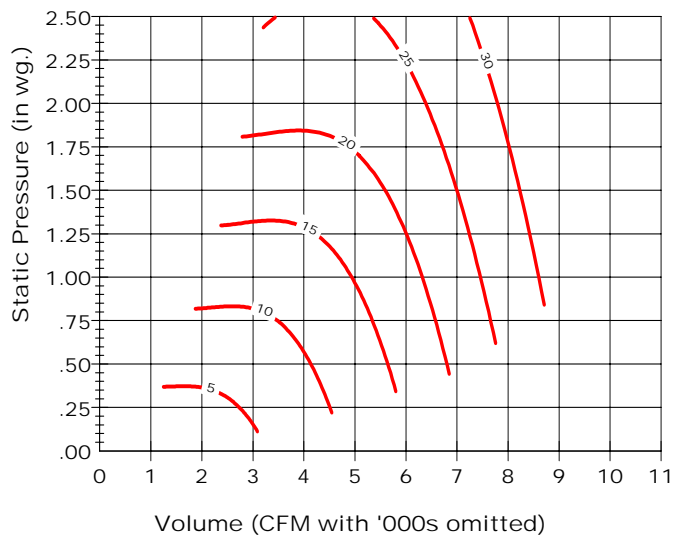
DSQ-B-18 SONE Curves



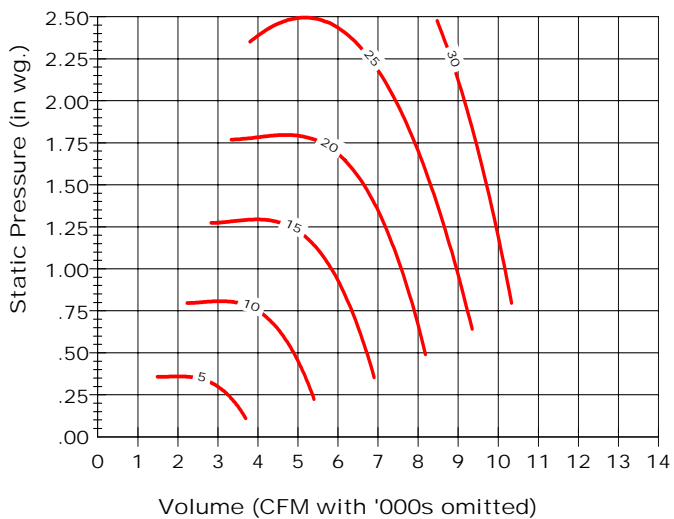
DSQ-B-20 SONE Curves



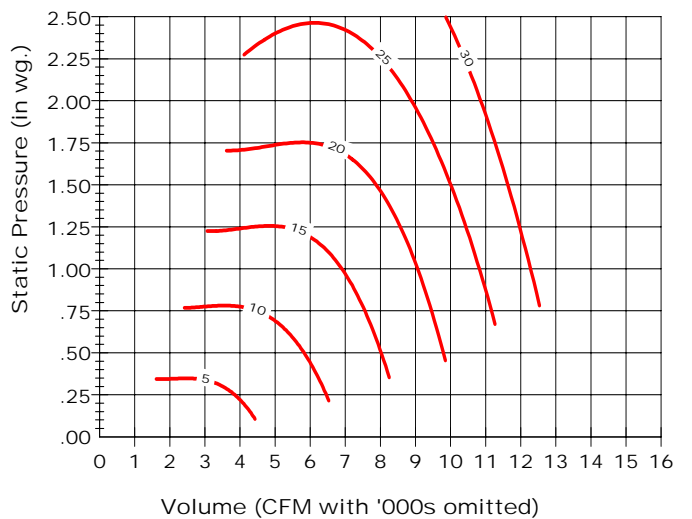
DSQ-B-22 SONE Curves



DSQ-B-24 SONE Curves



DSQ-B-27 SONE Curves



Other **DELHI** Catalogues



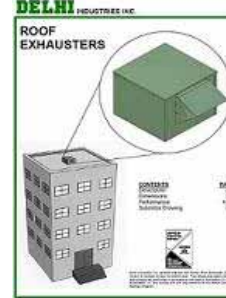
Cat. #SS-31
Forward Curved
Duct Blowers



Cat. #SS-38
Heating & Cooling
Coils



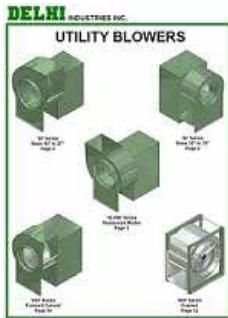
Cat. #SS-52
Direct Expansion
Coils



Cat. #SS-43
Roof Mounted
Exhausters



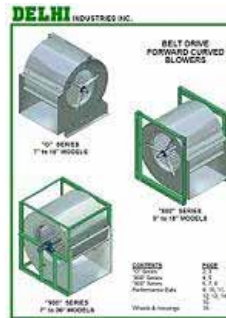
Cat. #SS-32
Filtered Fresh Air
Supply Units



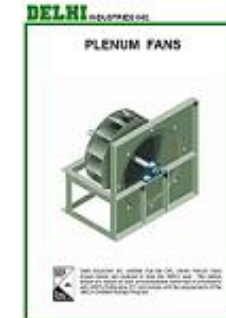
Cat. #SS-30
10" to 36"
Utility Blowers



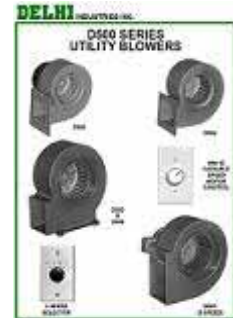
Cat. #SS-44
DWDI - BI
Blowers



Cat. #SS-49
7" - 36"
FC Blowers



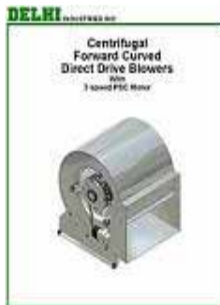
Cat. #SS-48
Plenum
Fans



Cat. #SS-45
Direct Drive
Utility Blowers



Cat. #SS-34
Replacement
Parts



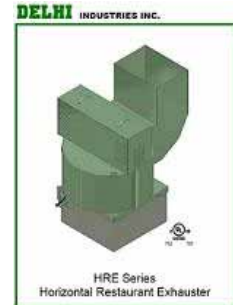
Cat. #SS-53
FC Direct Drive
Blower with Motor



Cat. #SS-51
Aluminum
Exhausters



Cat. #SS-54
Upblast
Exhausters



Cat. #SS-55
Horizontal
Restaurant
Exhauster

DELHI Industries Inc.
523 James St.
Delhi, Ontario
Canada N4B 2Z3
tel. (519) 582-2440
fax. (519) 582-0581
www.delhi-industries.com
e-mail: sales@delhi-industries.com

REPRESENTED BY:

WARRANTY

Delhi Air Moving Products are guaranteed for a period of one year against manufacturing defects in material and workmanship when operating under normal conditions. Liability is limited to the replacement of defective parts. Labour and transportation costs are not included.