

D500 SERIES UTILITY BLOWERS



D503



D504



**D530
&
D506**



**WM-13
VARIABLE
SPEED
MOTOR
CONTROL**



**3 SPEED
SELECTOR**



**D507
(3 SPEED)**

D500 SERIES UTILITY BLOWER

- Designed for easy installations in common applications requiring moderate air quantities (up to 650 CFM) in low static systems (up to .75" W.G.)
- Ideal for applications where low noise levels are a "must" since the motor is out of the air stream and the blower can be remotely located (see illustration p. 4).
- Available in CCW rotation only (as viewed from motor side).

FEATURES	D503	D504	D530	D506	D507
120V, 60 Hz CSA approved single speed shaded pole motor, continuous duty, suitable for use with WM-13 speed controller.	✓	✓	✓	✓	
120V, 60 Hz CSA approved 3 speed resilient mount PSC BALL BEARING motor.					✓
Prelubricated bearings - no further lubrication required.	✓	✓	✓	✓	✓
Built in automatic reset thermal protector.	✓	✓	✓	✓	✓
Mount in horizontal or vertical position.	✓	✓	✓	✓	
Rotate housing on base for any of 8 discharge positions, keeping shaft horizontal.					✓
Conduit wiring box.	✓	✓	✓	✓	✓
Inlet screen standard.	✓				
Duct collar inlet.			✓	✓	✓
Flanged outlet.	✓	✓			
Quiet operating forwardly curved zinc coated blower wheel.	✓	✓	✓	✓	✓
Base slotted for 4 rubber blower feet.			✓	✓	✓
Rugged steel blower housings with baked green enamel finish.	✓	✓	✓	✓	✓
Motor side access plate for motor and wheel servicing removal	✓	✓	✓	✓	

DIMENSIONS (inches)

MODEL	D503	D504	D530	D506	D507
FIGURE	1	1	2	2	3
RPM	3000	1300	1550	1520	1050
HP	1/100	1/90	1/30	1/12	1/8
AMPS	0.9	0.65	1.3	3.0	2.2
WATTS	8	8.5	25	62	93
A	6-1/8	8-3/8	9-3/4	10-5/8	13-1/8
B	5-1/4	7-1/8	9-1/8	9-3/4	12-1/4
C	--	--	1-1/2	1-1/2	3/4
D	1-7/8	2-3/4	3-7/8	3-3/4	8-1/4
E	2-3/4	3-3/4	4	5-1/4	6
F	5-1/4	6	8-1/4	11-1/8	14
G	3-3/4	5	5-1/2	6	7-1/2
H	3-3/8	4-3/4	4-7/8	6-1/8	5
J	2-1/2	3-3/8	4-1/4	4-1/2	6
L	2-7/8	3-3/4	5	5	8
M	3-1/2	4-1/4	6	6	9
N	4	5-1/4	5-7/8	7-1/8	6-5/8
O	--	--	4-7/8	5-7/8	7-7/8
P	--	--	1-1/8	1-1/8	1-1/2
R	--	--	--	--	1-1/2
WT.(LBS.)	4	5	9	14	26

MOTOR SPEED CONTROL

MODELS D503, D504, D530, D506

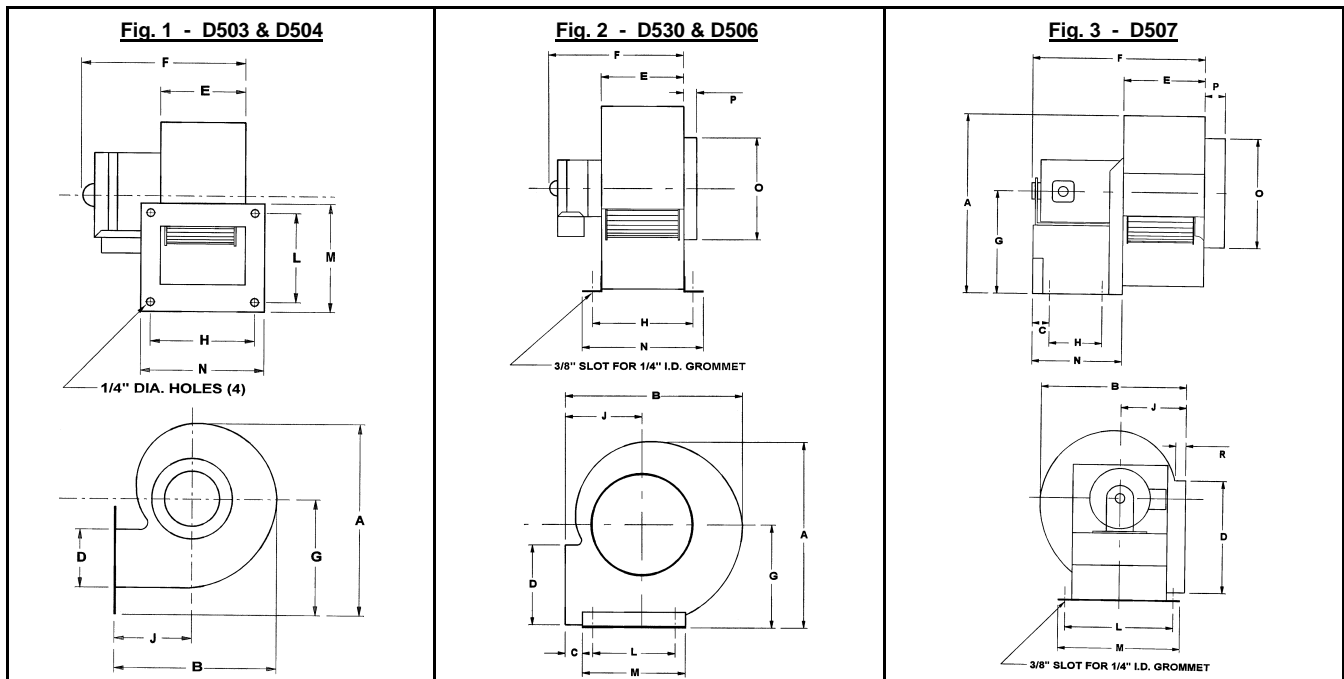
Use a # WM-13M solid state control to lower the motor speed and reduce the air flow up to the % of full capacity listed below.

D503 - 30%
D504 - 45%

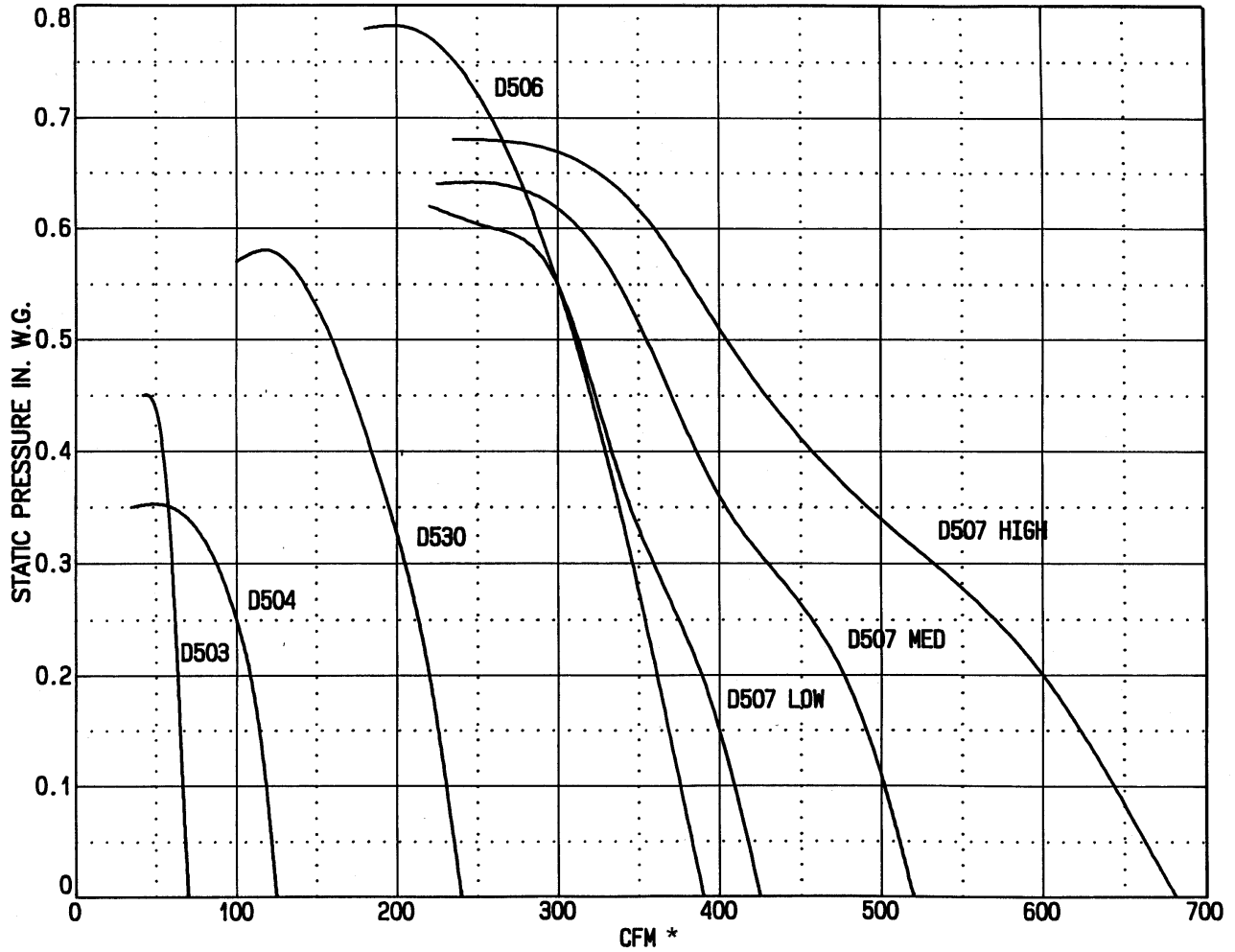
D530 - 45%
D506 - 55%

MODELS D507

Use a 3 speed switch to select Hi (1050 RPM), Med (850 RPM) or Low (740 RPM) operation.



D500 SERIES PERFORMANCE DATA

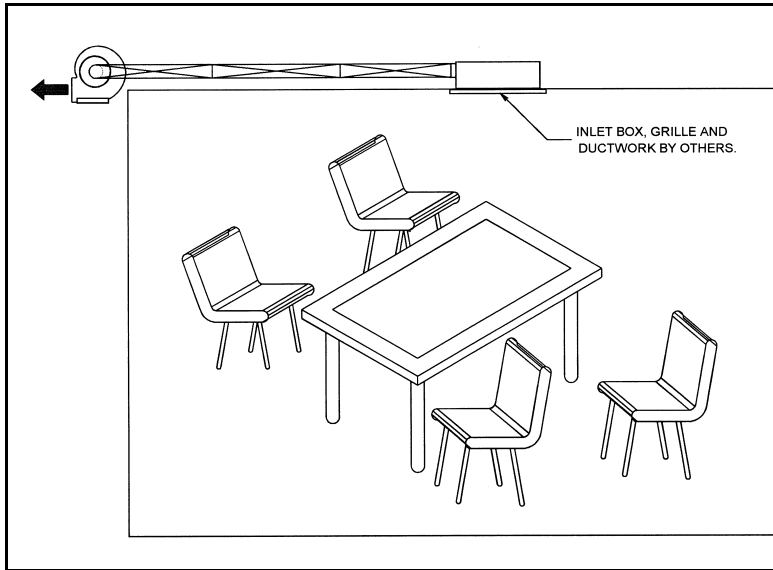


MODEL	1/8" SP	1/4" SP	3/8" SP	1/2" SP	5/8" SP	3/4" SP
	CFM *					
D503	65	60	60	--	--	--
D504	120	100	--	--	--	--
D530	230	210	190	160	--	--
D506	375	355	335	315	280	240
D507 - Lo	410	375	340	315	225	--
D507 - Med	495	460	390	355	300	--
D507 - Hi	640	570	470	405	350	--

* CFM AT RATED RPM (see p. 2)

TYPICAL APPLICATIONS

CONFERENCE ROOM EXHAUST



APPLICATION DATA

- Conference rooms require ventilation rates of 20 CFM per person to control CO₂ and other contaminants with a moderate amount of smoking.

ADVANTAGES OF THE D500

- Quiet operation. With the motor located outside the airstream motor noise is not transmitted into the conference room.
- Since the blower is positioned remote from the conference room, the natural attenuation of the duct work reduces the noise to a "whisper".
- When used with the WM-13 speed control, the exhauster can be adjusted to the proper ventilation rate required by the number of occupants.

OTHER DELHI CATALOGUES

CAT. #SS-30

- BI Utility Blowers
- BI-RM Restaurant Model
- 400 Series Exhauster
- 600 Series FC Utility Blowers

CAT. #SS-31

- 200 Series Indoor Duct Blowers
- HC Hot Water Coils
- 9200 & 9200-VIB Series HD Duct Blowers
- F200A & F9220A Series Filter Section
- H9200 Series Intake Hood

CAT. #SS-32

- 700 Series Roof Mounted Air Supply Unit
- SIS Series Roof Mounted Side Intake Air Supply Unit

CAT. #SS-33

- "G" Series FC Blowers
- 800 Series Framed FC DWDI Blowers
- 900 Series Framed FC HD DWDI Blowers

CAT. #SS-34

- "G" Series DWDI FC Blowers
- Replacement Wheel, Shaft & Bearings

CAT. #SS-37

- 30-36" BI Utility Blowers
- 30-36" BI-RM Restaurant Models

CAT. #SS-38

- Heating & Cooling Coils

CAT. #SS-42

- CMRE Curb Mount Restaurant Exhauster

CAT. #SS-43

- 300 Series Roof Mounted Exhauster

CAT. #SS-44

- BIDI Series Backward Inclined DWDI Blowers

CAT. #SS-46

- 27" to 36" Forward Curved Blowers

CAT. #SS-47

- Condensed Catalogue

CAT. #SS-48

- DPL Series Plenum Fans

WARRANTY

Delhi Air Moving Products are guaranteed for a period of one year against manufacturing defects in material and workmanship when operating under normal conditions. Liability is limited to the replacement of defective parts. Labour and transportation costs are not included.

REPRESENTED BY:

DELHI Industries Inc.

523 James Street
Delhi, Ontario
Canada N4B 2Z3
tel: (519)582-2440
fax: (519)582-0581
www.delhi-industries.com
e-mail: sales@delhi-industries.com